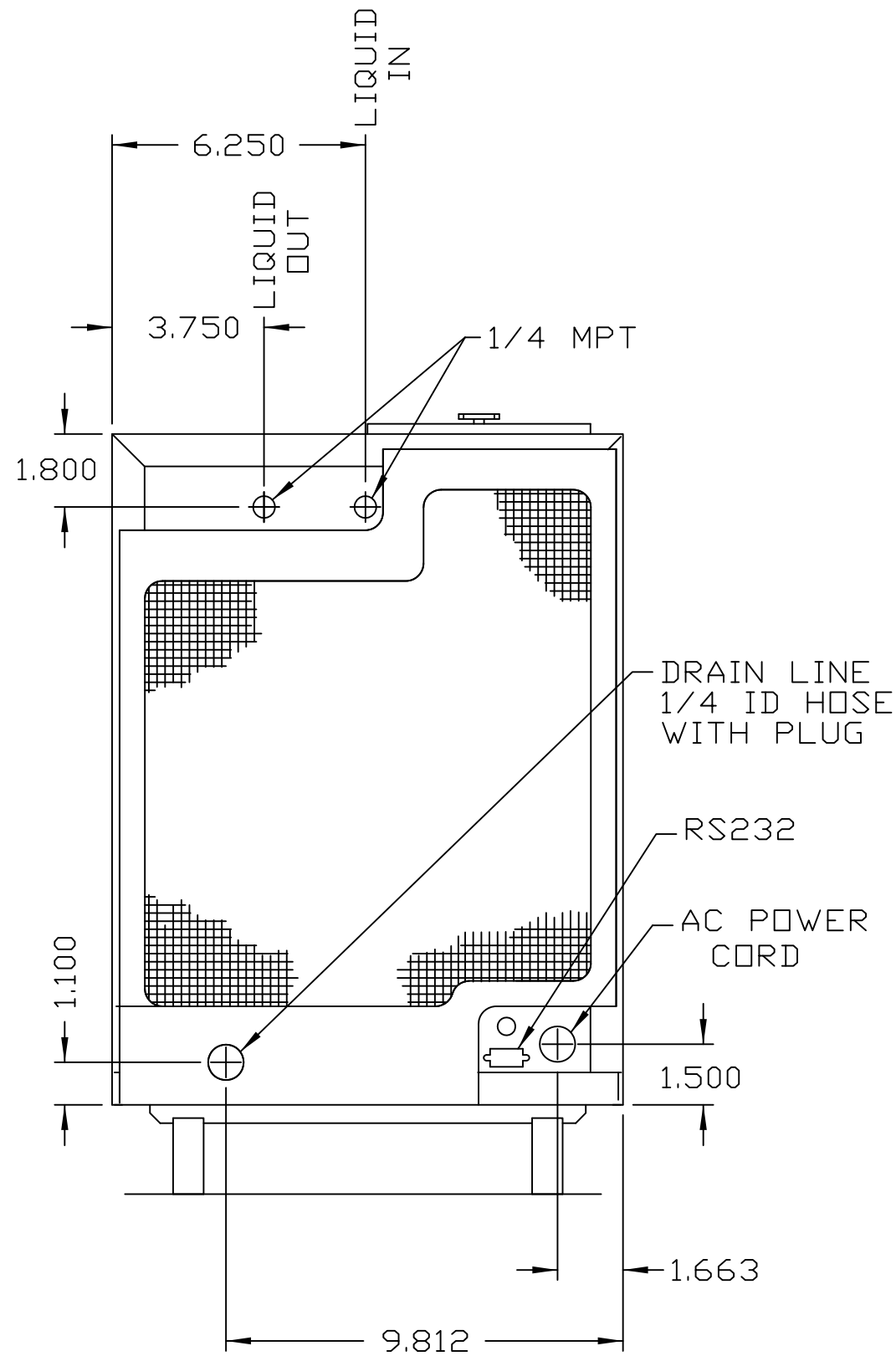
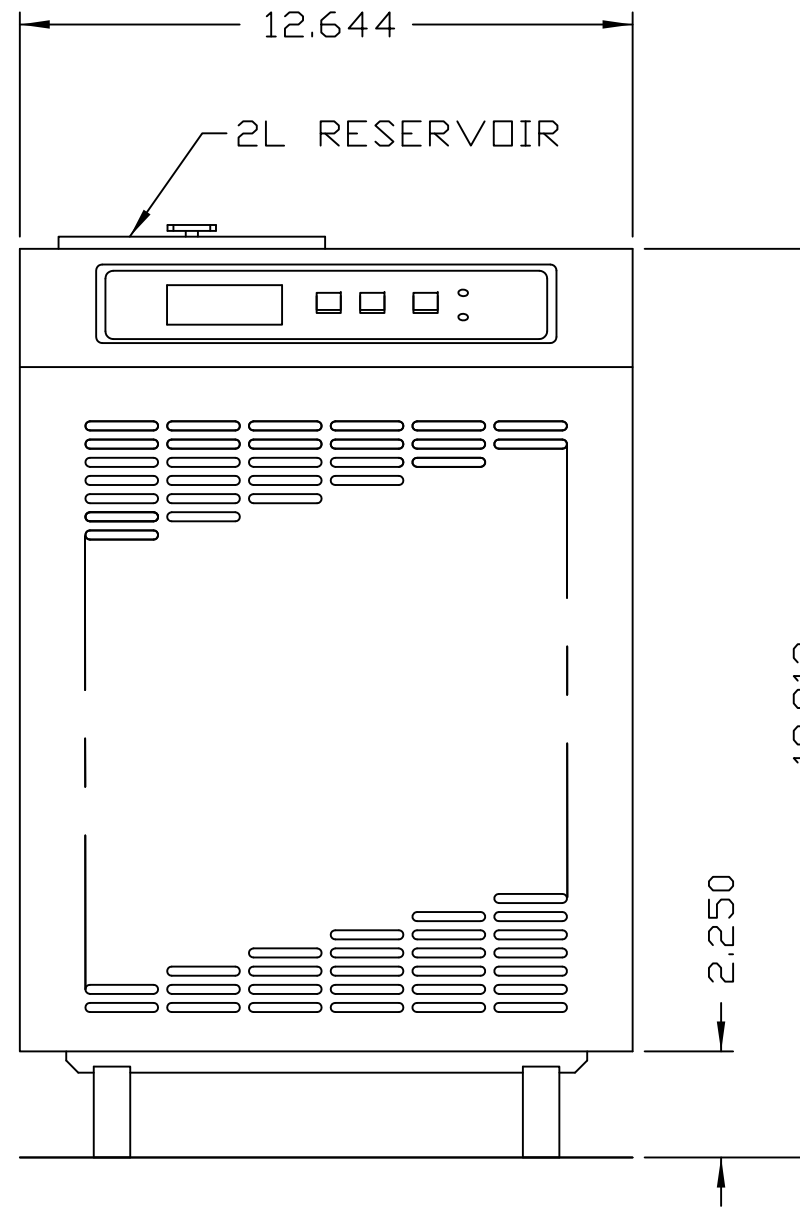


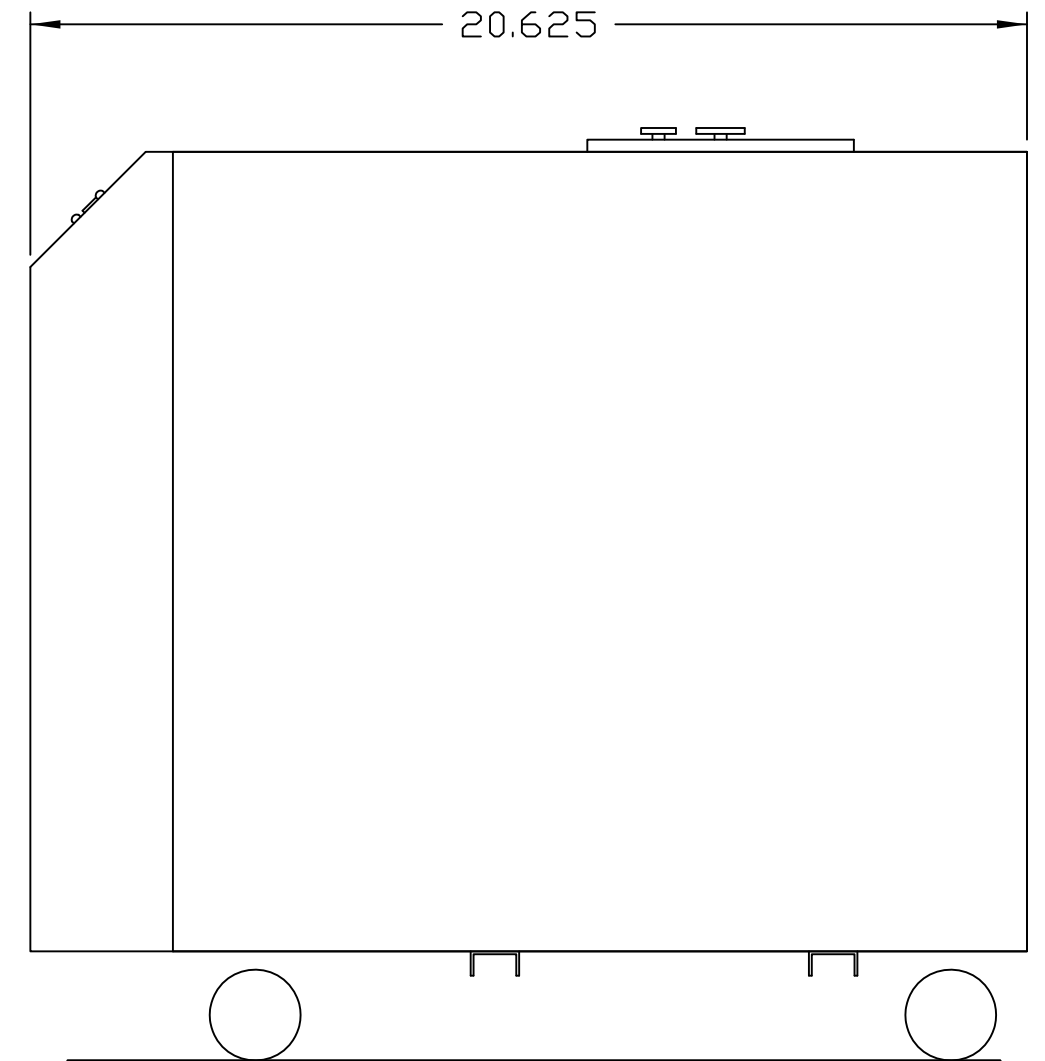
THIS DOCUMENT CONTAINS INFORMATION PROPRIETARY TO FTS SYSTEMS AND IS FURNISHED IN CONFIDENCE FOR THE SOLE PURPOSE OF SUPPLYING THE RECIPIENT WITH NEEDED ENGINEERING DATA. ITS CONTENTS SHOULD NOT BE DISCLOSED OR REPRODUCED IN ANY MANNER BY THE RECIPIENT WITHOUT THE WRITTEN CONSENT OF FTS SYSTEMS



REAR



FRONT



RIGHT SIDE

FTS SYSTEMS INC.  
3538 MAIN ST., P.O. BOX 158, STONE RIDGE, NY 12484

DRFT	08MAR93	TW	ME
CHK	08MAR93	WP	EE

TITLE:

PRODUCT OUTLINE, RS33

DWG. No.  
RC-1238-B

REV  
B

SHEET 1 OF 1