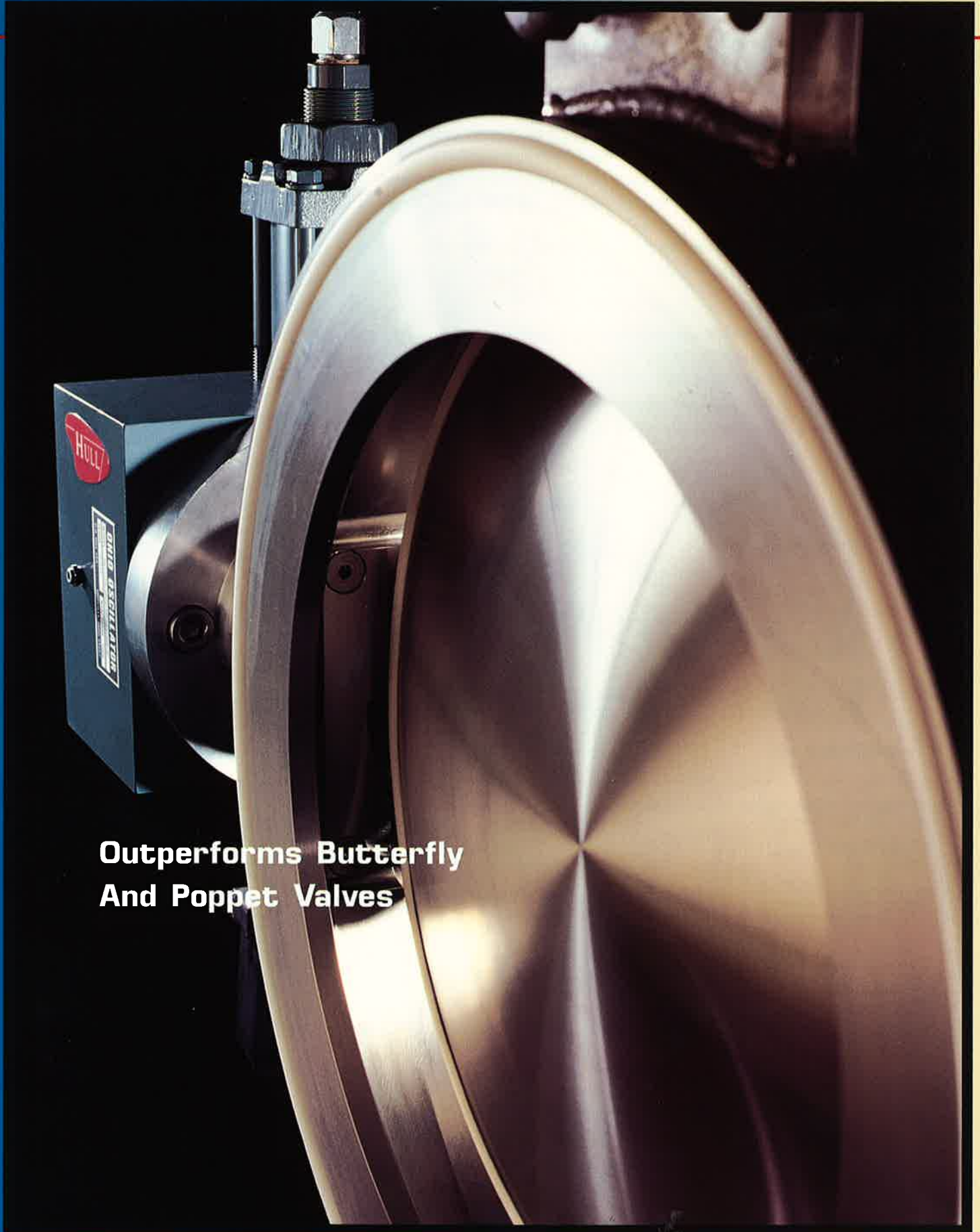


Hull Rotary Disk Valve



**Outperforms Butterfly
And Poppet Valves**

Innovative Thinking Meets Proven Technology

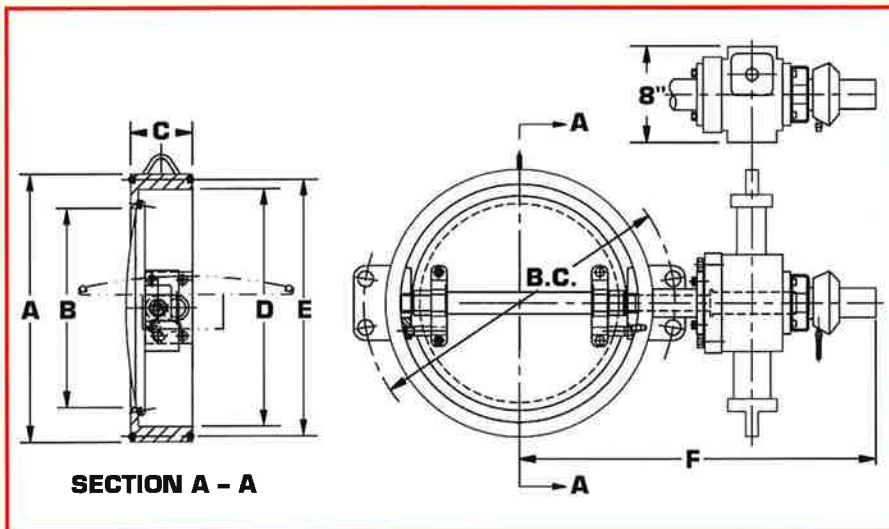
In order to isolate the freeze drying chamber from the external condenser, freeze dryer manufacturers have traditionally installed either a butterfly valve or a poppet valve in the vapor line. But both types of valves have disadvantages: butterfly valves rub against the seal, generating particulates, and poppet designs obstruct the vapor flow path.

Hull's unique, patented Rotary Disk Valve combines the advantages of conventional butterfly and poppet valves, while virtually eliminating these inherent disadvantages. The unique design first moves the valve disk laterally from the seat and then rotates it 90° to the fully open position, providing an unobstructed flow with no particulate generation.

To simplify maintenance, both the O-ring seal and the actuator stem seal can be replaced without removing the valve from the system.

Ideal for retrofits

If you currently have an external condenser installation, regardless of the manufacturer, you can easily retrofit it with Hull's patented vapor valve. Because the rotary disk valve has been designed for interchangeability with most major brands of butterfly valves, replacing an existing butterfly or poppet valve is simple and economical.



Hull Rotary Disk Valve Dimensions

VALVE SIZE	Dimensional Data						Lug Bolting Data			WGT. LBS.
	BODY O.D. A	OPEN I.D. B	LAY LENGTH C	BODY I.D. D	MEAN SEAL DIA. E	LATERAL EXTENSION F	B.C.	QTY. HOLES	HOLE DIA.	
20"	21.5	16	5	19.13	20.50	28.75	25.00	4	1.16	400
24"	26	19.25	5.94	23.13	24.63	31.50	29.50	4	1.28	500
30"	32	25.25	6.56	29.13	30.63	34.50	36.00	4	1.28	700
36"	38	31	7.88	35.13	36.63	38.50	42.75	4	1.53	1,075

Rotary Disk Valve

Features:

- Static O-Ring face seal – virtually eliminates particulate generation
- Completely sterilizable – all components are exposed to the cleaning process
- 50-60 durometer, high memory, commercially available static O-Ring face seal for vacuum-tight sealing
- All internal materials meet FDA, cGMP requirements
- Flange location holes meet ANSI 125/150 drillings
- Wide operating temperature range: -100° F to +400° F
- Pressure rating of 50 psi differential
- Easy installation and maintenance
- In-place replacement of stem seal packing and disk O-Ring, without removing valve from vapor line
- Double, bi-directional, self-adjusting, leak-free stem seal packing
- Superior corrosion resistant stainless steel construction for long service life
- Interchangeable with most major brands of butterfly valves
- 30% lighter than the same size butterfly valve
- Available for 20", 24", 30" and 36" line sizes

Optional Features:

- Position limit switches
- Electro-polish finish



AN SP INDUSTRIES BRAND

935 Mearns Road, Warminster, PA 18974
 800-523-2327 · 215-672-7800 · Fax: 215-672-7807
www.hullcompany.com